

# ICE-O-MATIC

COMPLETE 60HZ PRODUCT CATALOGUE



**Ice-O-Matic**  
THE CHOICE IS CLEAR



**Ice-O-Matic**  
THE CHOICE IS CLEAR

# TABLE OF CONTENTS

---

About Ice-O-Matic General Information Model Number Guide Ice Form Series Guide	<b>2</b>
<b>UCG Gourmet Ice™</b> Undercounters	<b>11</b>
<b>ICE Series Cube Ice™</b> ICE Series Cube Ice Makers ICE Series Cube Ice Makers - Accessories	<b>13</b>
<b>Elevation Series Cube Ice™</b> Elevation Features Elevation Series Cube Ice Makers - 22" Modular Elevation Series Cube Ice Makers - 30" Modular Elevation Series Cube Ice Makers - 48" Modular Elevation Series Cube Ice Makers - Undercounters Elevation Series Modular - Accessories	<b>14</b>
<b>GEM Series Pearl Ice™</b> GEM Series Pearl Ice® Makers - Modular GEM Series Pearl Ice® Makers - Accessories	<b>20</b>
<b>MFI Series™ Flake Ice™</b> MFI Series Flake Ice Makers - Modular MFI Series Flake Ice Makers - Accessories	<b>21</b>
<b>HEM Series Quartz Ice™</b> HEM Series Quartz Ice Makers - Modular HEM Series Quartz Ice Makers - Accessories	<b>23</b>
Remote Condensers & Accessories Countertop & Hotel Ice Dispensers Ice Dispenser Accessories & Kits	<b>24</b>
Storage Bins & Accessories Ice Machine & Bin Configurations ICE Series Cube Ice Makers - Accessories	<b>32</b>



## About us.

---

Located in Denver, Colorado, Ice-O-Matic is a leading American manufacturer of a wide range of commercial ice-making products including cube ice makers, Pearl Ice® ice makers, flake ice makers, storage bins, dispensers and water filters.



# ICE WITH A CLEAR CONSCIENCE

## Sustainability

Ice-O-Matic offsets the carbon footprint of its Denver factory by using recycled packaging materials. We also recycle our industrial and office waste products.

## Made in the U.S.A.

A U.S.-based company with over 200 employees worldwide, Ice-O-Matic provides and creates American jobs. Ice-O-Matic is committed to producing quality products, and to the hundreds of employees who make it happen. Ice-O-Matic products are designed and assembled in America.

## ENERGY STAR®

Ice-O-Matic partners with ENERGY STAR and is dedicated to improving energy efficiency. Each ENERGY STAR certified ice maker can save businesses energy and money on their utility bills. When considering batch-type ice makers, ENERGY STAR certified systems can save, on average, about 1,200 kwh annually, or \$125/year in electricity bill costs.

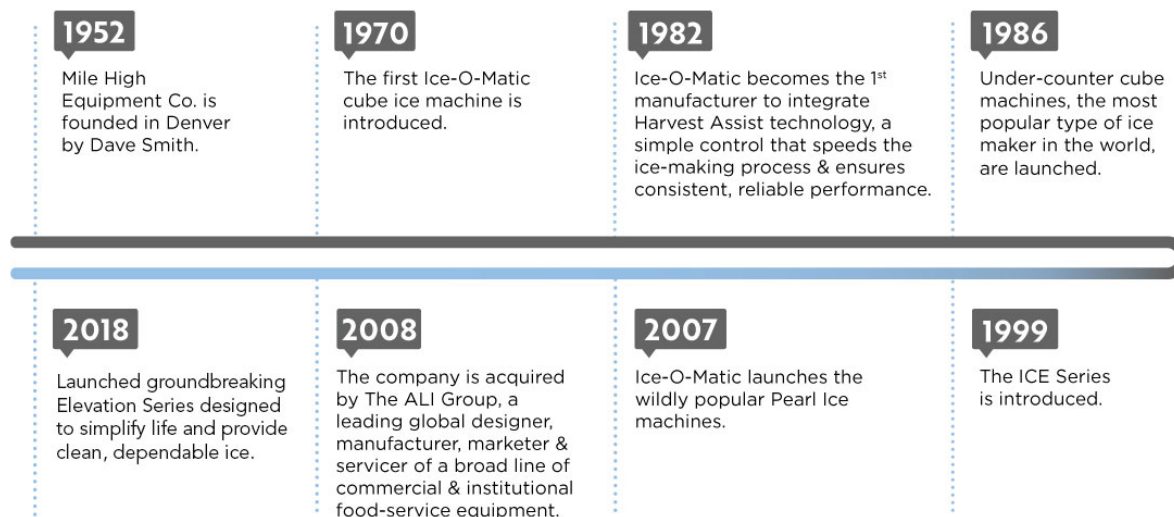
# TERMS & CONDITIONS

- Specifications and prices are subject to change without notice.
- All height dimensions of bins and ice makers with built-in storage include the height of the legs where applicable.
- For a full listing of Terms and Conditions, visit: [www.iceomatic.com](http://www.iceomatic.com)

# OUR HISTORY

## Perfecting Ice Since 1952®

Since 1952, Ice-O-Matic has worked tirelessly on developing, enhancing and perfecting the way ice is made. Founder Dave Smith's mission was to offer the best ice machines in the business with a single-minded focus on top-quality ice. To this day, Ice-O-Matic is dedicated to providing simple, reliable and easy-to-use commercial ice machines.



# INSTALLATION CONSIDERATIONS

## Allow enough space for the following elements

- The ice maker, bin and water filter
- Airflow

## Utilities

- What are the voltage and amperage characteristics of the electrical outlet that will be used for this ice maker?
- Is there a floor drain within 6 feet (1.8 meters)?
- Is there a water source with water shutoff?
- Are the utilities within 6 feet (1.8 meters) of the ice-maker location?

## Remote installation

- Is there an outdoor condenser location available?
- Is there easy roof access and penetration?
- Maximum precharged tubing line run considerations?



## SIZING YOUR ICE MAKER

- Does the existing ice maker meet peak usage during the hottest time of the year?
- Where are the various ice stations in the establishment that will need ice?
- Will multiple ice stations be serviced from one or multiple ice makers?
- For future growth, consider building in at least 20 percent additional ice capacity on new installations.
- For dispenser applications, increase machine production by 50%

## APPROXIMATE ICE USAGE PER DAY

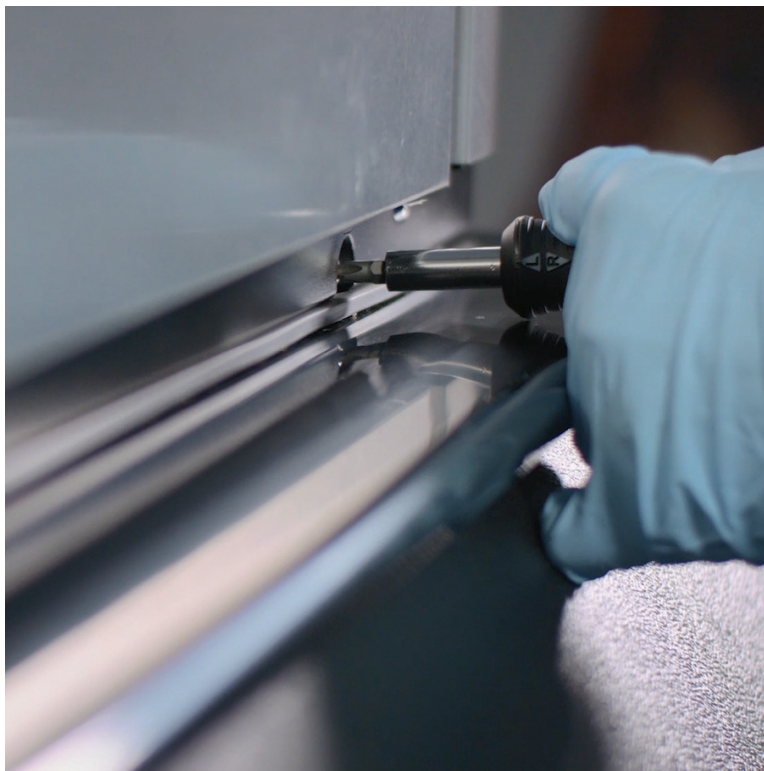
### FOOD SERVICE

Restaurant	1.5 lbs. per person or 6 lbs. per seat
Cocktail	3 lbs. per person
Quick Service	5 oz. per 7-10 oz. drink 8 oz. per 12-16-oz. drink 12oz. per 18-24-oz. drink

### LODGING

Guest Ice	5 lbs. per room
Catering	1 lb. per person

NOTE: The charts above outlines the approximate required ice amount per day, depending on application usage.



# WARRANTY

## ICE MAKER WARRANTY

Every Ice-O-Matic ice maker is backed by a warranty that provides both parts and labor coverage. To register products, view the warranty details or check your warranty status, visit the "Warranty Registration" page at: [iceomatic.com/warranty](http://iceomatic.com/warranty).

### Cube Ice Makers - CIM and Ice Series

- Three years parts and labor
- Five years parts on evaporators and compressors
- Seven years parts on evaporators with IOM filter program (U.S.A. and Canada only)

### Flake Ice Makers - MFI Series

- Three years parts and labor
- Five years parts coverage on the compressor

### Pearl Ice<sup>®</sup> Makers - GEM Series

- Modular - three years parts and labor
- Countertop dispenser - two years parts and labor
- Modular/dispenser - five years parts coverage on the compressor
- GEMU090 undercounter - one years parts and labor

## Remote Condensers - RC Series

- Three years parts and labor

## Gourmet Ice Makers - UCG Series

- Three years parts and labor

## Dispensers - CD and IOD Series

- IOD countertop dispensers - two years parts warranty and one year labor warranty
- CD hotel dispensers - three years parts and labor warranty

## Storage Bins

- Two years parts and labor

## Water Filter Manifold Systems

- One year parts and labor (excluding cartridges)

## Accessories

- 90 days parts only

## Residential Installation

- All commercial machines installed in residential applications have one year parts and labor warranty

# WATER FILTRATION PROGRAM

- Buy a new Ice-O-Matic IFQ Series Water Filtration System with a new CIM Series™ Cube Ice Maker, replace the filter cartridge every six months and Ice-O-Matic will extend the limited cuber evaporator warranty to seven years parts and labor.
- New ice maker and filter must be installed at the same time.
- Must register both the ice maker and water filter online at [iceomatic.com/warranty](http://iceomatic.com/warranty) within five days of installation.
- Water filter cartridge model number and serial number must be included with registration information.
- Water filter changes must be recorded at [iceomatic.com](http://iceomatic.com) every six months or less.
- Replacement cartridge must be an Ice-O-Matic replacement cartridge (See sizing chart for cartridge requirements).
- Available in the U.S.A. and Canada only.

**EXTEND YOUR  
WARRANTY BY  
PARTICIPATING  
IN OUR WATER  
FILTRATION  
PROGRAM!**



For more information on water filters, see page #30



## The best for your business.

---

Some people may not realize it, but ice is a type of food. It's also a key ingredient in most food service applications around the world. That's why it's very important to select the right type of ice and ice machine for your business. When choosing a machine, there are several factors that need to be considered, including ice type, machine location, sizing/ice amount, and condenser style.



# MODEL NUMBER GUIDE

## Elevation Series™ - Cube Ice

CIM0530HA90	CIM	Model CIM = Cube Ice Modular Series
	05	Basic Family Size (lbs/24 hr): 03 = 300 lbs, 04 = 400 lbs, 10 = 1000 lbs plus
	3	Width of machine in inches: 3 for 30", 2 for 22", 4 for 48"
	0	Unit Electrical Characteristics: 0, 5, 6, 7 ***
	H	Cube Type: H = Half, F = Full, G = Grande
	A	Condenser Type: A = Air, W = Water, R = Remote
	90	Refrigerant: 49 = R449, 90 = R290

## UCG Series - Gourmet Ice Makers

UCG060A	UCG	Undercounter Gourmet Series
	06	Basic Family Size (lbs/24 hr): 06 = 60 lbs, 08 = 80 lbs, 10 = 100 lbs, 13 = 130 lbs
	0	Unit Electrical Characteristics: 0, 5, 6, 7 ***
	G	Cube Type: G = Gourmet, GG = Gourmet Grande
	A	Condenser Type: A = Air Cooled

## Pearl Ice®, Quartz Ice, and Flake Ice Makers

GEM0956R49	GEM	GEM = Modular Pearl Ice®, MFI = Modular Flake Ice, HEM = Modular Quartz Ice
	095	Basic Family Size (lbs/24 hr): Approximately 950 lbs
	6	Unit Electrical Characteristics: 0, 5, 6, 7 ***
	R	Condenser Type: A = Air, W = Water, R = Remote
	49	Refrigerant: 49 = R449, 90 = R290

## Remote Condensers

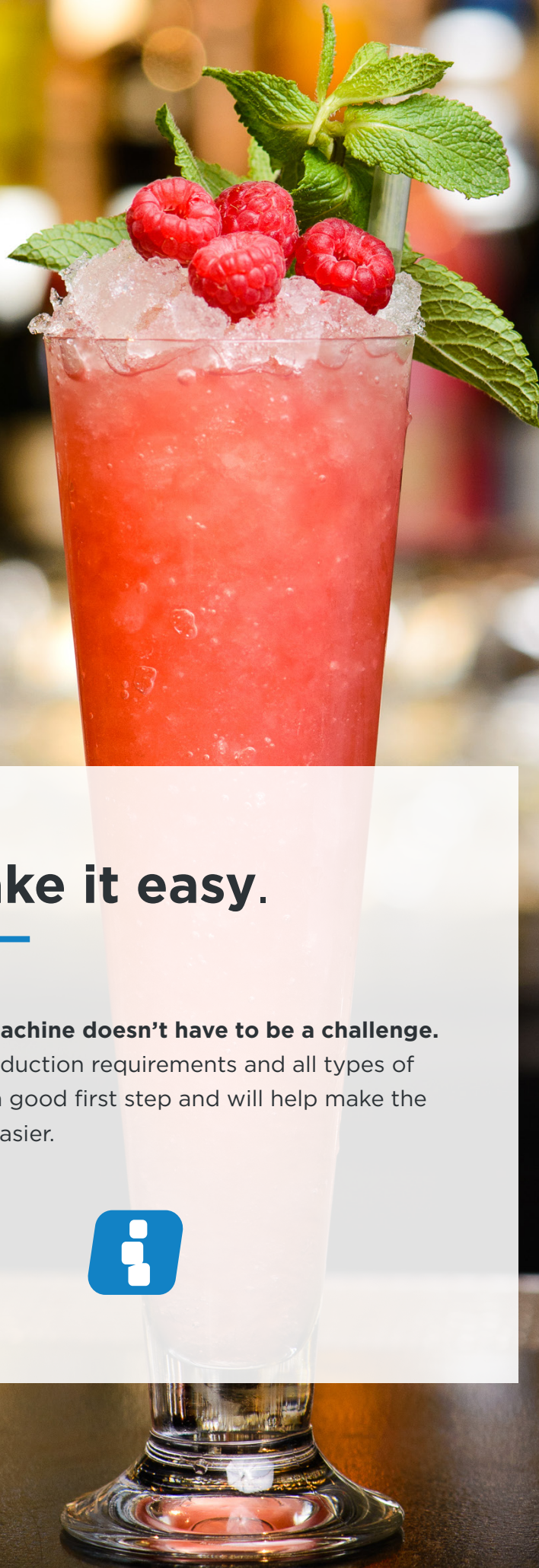
RC206C49	RC	Remote Condensers
	20	Coil Size
	6	Unit Electrical Characteristics: 0, 6 ***
	C	C = Cuber Remote Condenser, G = GEM or MFI Remote Condenser
	49	Refrigerant: 40 = R404A, 49 = R449

## Storage Bins

B55	B	Model B = Bin
	55	Approx. Size: 55 = 550-lb capacity

\*\*\* Unit Electrical Characteristics

0 - 115/60/1 5 - 220-240/50/1 6 - 208-230/60/1 7 - 208-230/60/3



## We make it easy.

---

**Buying an ice machine doesn't have to be a challenge.** Determining production requirements and all types of ice you need is a good first step and will help make the process a little easier.



# ICE FORMS & SERIES GUIDE

---



## Gourmet (G)

(H) 1 ¼ in

(Dia.) 1 in



## Gourmet Grande (GG)

(H) 1 ½ in

(Dia.) 1 ½ in

---

## Pearl Ice® Makers



## Flake Ice Makers



## Flake (F)

## ELEVATION Series™ Cube Ice Makers - Modular

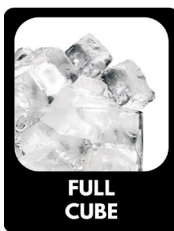


## Half (H)

(H) ¾ in

(W) ¾ in

(D) ¾ in



## Full (F)

(H) ¾ in

(W) ¾ in

(D) ¾ in



## Ice Series™ Cube Ice Makers

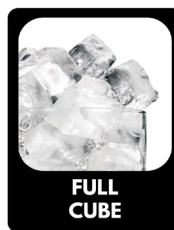


## Half (H)

(H) ¾ in

(W) ¾ in

(D) ¾ in



## Full (F)

(H) ¾ in

(W) ¾ in

(D) ¾ in



## The choice is clear.

---

Our self-contained gourmet cube ice makers are designed with many practical features that make them reliable and carefree to operate. With durable stainless steel top panels and convenient slide-away doors, the self-contained models are perfect for bars, wait stations and undercounter applications.



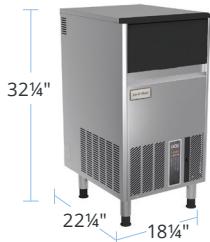
# UCG GOURMET SERIES™ | Undercounters • Accessories



Model Number	Machine Height Standard/Short Leg (in)	Ice Production lbs/24 hr @ 70°F Air/50°F Water	Ice Production lbs/24 hr @ 90°F Air/70°F Water	Bin Storage (lbs)	Condensing Unit	Voltage Units	Ship Weight (lbs)
UCG060A	30.25-32 / 27.375-27.75	63	45	17.5	Air	115/60/1	81.5



Model Number	Machine Height Standard/Short Leg (in)	Ice Production lbs/24 hr @ 70°F Air/50°F Water	Ice Production lbs/24 hr @ 90°F Air/70°F Water	Bin Storage (lbs)	Condensing Unit	Voltage Units	Ship Weight (lbs)
UCG080A	32.25-34 / 29.375-29.75	95	77.8	33	Air	115/60/1	81.5



Model Number	Machine Height Standard/Short Leg (in)	Ice Production lbs/24 hr @ 70°F Air/50°F Water	Ice Production lbs/24 hr @ 90°F Air/70°F Water	Bin Storage (lbs)	Condensing Unit	Voltage Units	Ship Weight (lbs)
UCG100A	36-37.75 / 33.125-33.5	114	91.7	48.5	Air	115/60/1	97
UCG130A		121	114.3				
UCG130GA*		121	100.5				

\* Gourmet Grande

## UCG Series™ - Accessories

Model Number	Description	Ship Weight (lbs)
1011411-87	True undercounter leg for UCG100, UCG130 and UCG130GA	4



## **The industry standard.**

---

It's that familiar clinking sound in your favorite beverage. It's the fresh, crystal-clear ice that tumbles into glasses at restaurants, bars and convenience stores around the world, cooling the drink while preserving the flavor. Our widely popular cube ice never goes out of style and is perfect for any application or occasion. Long-lasting cube ice is the right choice for a wide variety of uses.

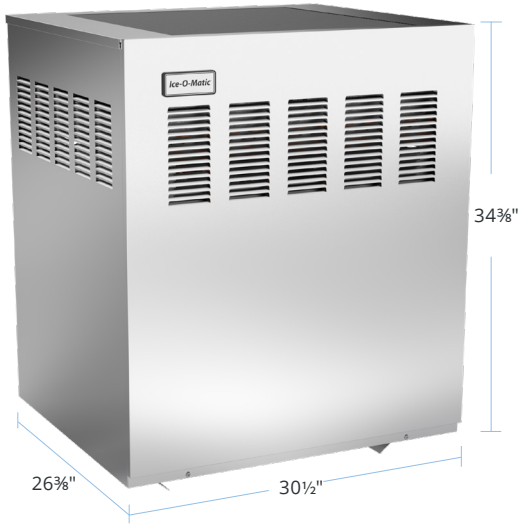


# ICE SERIES™ | Ice Makers • Accessories

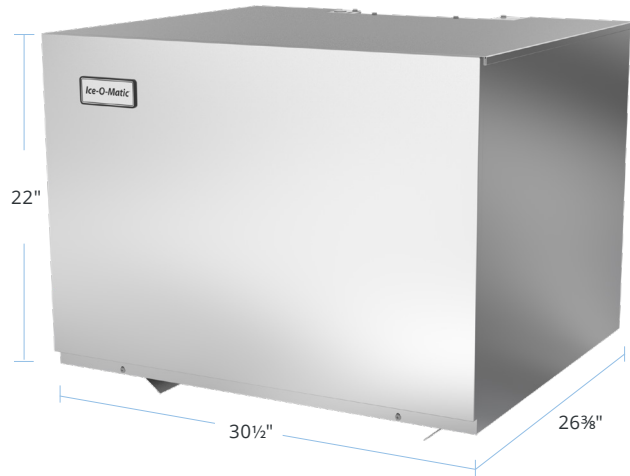
Model Number	Ice Production lbs/24 hr @ 70°F Air/50°F Water	Ice Production lbs/24 hr @ 90°F Air/70°F Water	Half Cube	Condensing Unit	Voltage Units	Ship Weight (lbs)
ICE1506HT49	1310	1070	H	Air	208-230/60/1	310

Model Number	Ice Production lbs/24 hr @ 70°F Air/50°F Water	Ice Production lbs/24 hr @ 90°F Air/70°F Water	Half Cube	Condensing Unit	Voltage Units	Ship Weight (lbs)
ICE1506HR49*	1228	1028	H	Remote	208-230/60/1	310

\* Remote condensers and line sets are required for remote-cooled ice makers. See Page 24 & 25 for Remote Condensers.



**ICE1506HT49**



**ICE1506HR49**

## ICE Series™ - Accessories

Model Number	Description	Ship Weight (lbs)
BPF-1	Filler Panel Kit for 30" ICE Series™ Cube Ice Makers for <b>B110 bins only</b>	8
KBT5	Bin Top for 30" ICE1506 family for <b>B100 only</b>	30
KCUBEDISP	Bin-level kit required for dispensing application	1
KBTF21506*	Bin Top for (2) ICE1506's on <b>60" bins only</b>	43

\* Additional adapters may be required from dispenser manufacturer

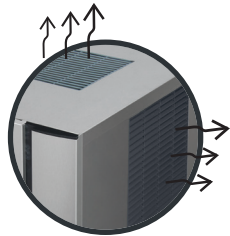
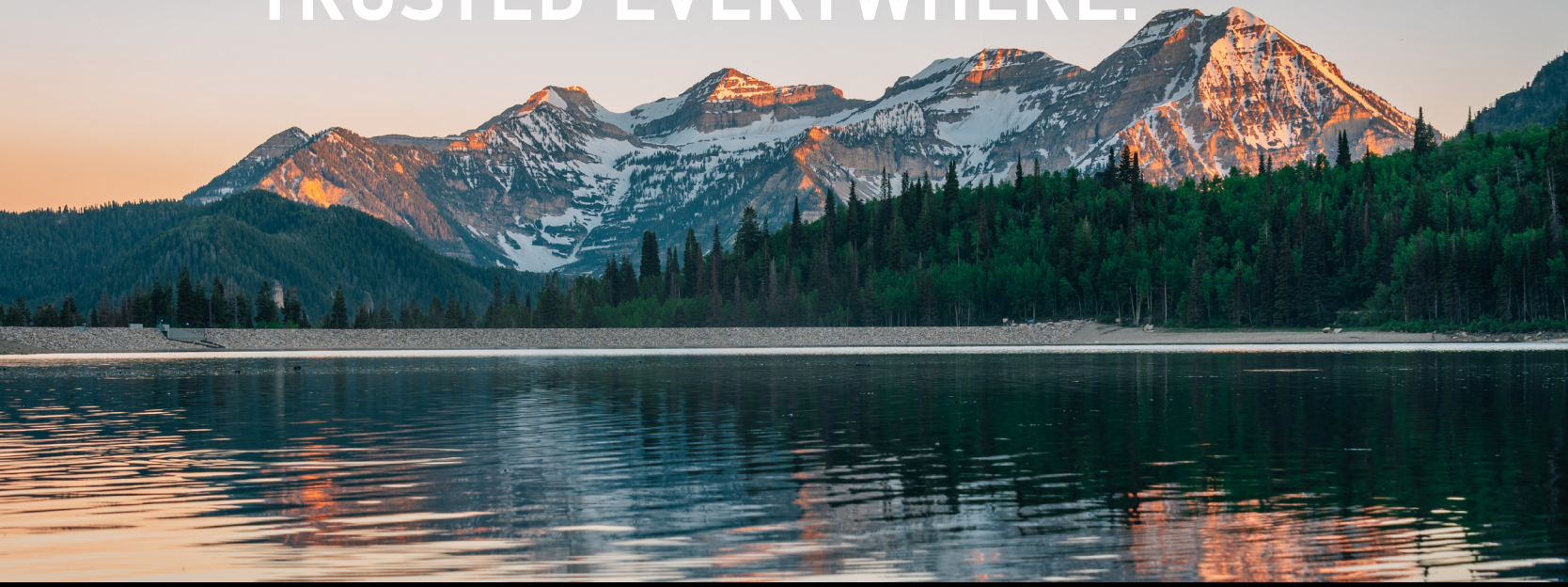


## The Elevation Series.

---

Our Elevation Series is designed to simplify life. Our cube ice machines are easy to clean, easy to service, simple to operate, and environmentally responsible without sacrificing productivity. The Elevation Series provides clean, dependable ice from an astonishingly user-friendly and energy-efficient machine designed to work as hard as you. We believe design simplicity equals operational excellence, and innovation goes beyond just adding bells and whistles.

# BUILT IN THE ROCKIES. TRUSTED EVERYWHERE.



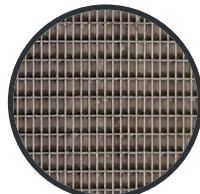
## Dual Exhaust

Allows hot-air discharge from the side and/or the top of every unit for flexibility. Just one side needs at least 6 inches of clearance for the machine to reach full ice production.



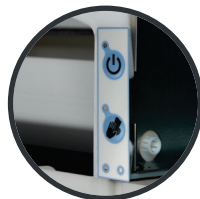
## Snap in and out plastic parts

Sanitation has never been easier. Parts snap in and out and are dishwasher safe up to 180°F, no bottle brushes or tools required.



## Robust Evaporator

With a 1 mil thick nickel-plated copper evaporator, our CIM series is reliable and robust. The evaporator is the heart of the ice machine and its durability defines the life of the machine.



## One-Touch Cleaning

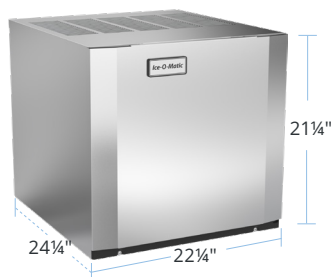
One touch to descale, one touch to sanitize. LEDs signal when cleaning is required. It takes less than an hour to deep clean a CIM ice machine.



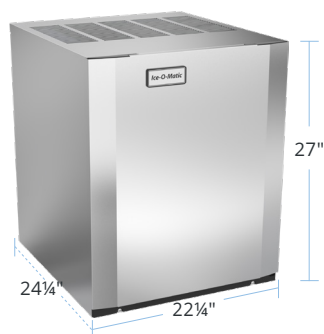
## Safe Ice Kit - KSI-1

The Safe Ice purification system passively eliminates contaminants throughout your Ice-O-Matic machine by recirculating anti-microbial ozone infused air.

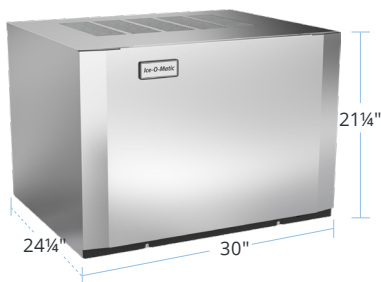
# ELEVATION SERIES™ | Modular Ice Makers



Model Number	Ice Production lbs/24 hr @ 70°F Air/50°F Water	Ice Production lbs/24 hr @ 90°F Air/70°F Water	Half or Full Cube	Condensing Unit	Voltage Units	Ship Weight (lbs)
CIM0320A90	325	240	H/F	Air	115/60/1	125
CIM0320W90	320	270		Water		129
CIM0520A90	525	400		Air		132
CIM0520W90	550	485		Water		148



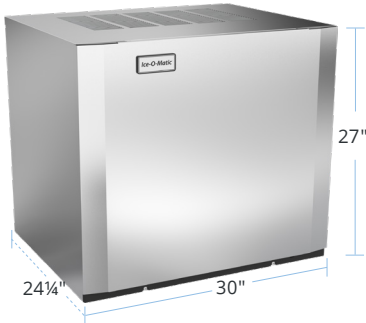
Model Number	Ice Production lb/24 hr @ 70°F Air/50°F Water	Ice Production lbs/24 hr @ 90°F Air/70°F Water	Half or Full Cube	Condensing Unit	Voltage Units	Ship Weight (lbs)
CIM0826A90	900	695	H/F	Air	208-230/60/1	197
CIM0826R49*	850	759		Remote		220
CIM0826W90	875	770		Water		197
CIM1126A90	1000	812		Air		211
CIM1126R49*	930	820		Remote		215
CIM1126W90	960	880		Water		197



Model Number	Ice Production lb/24 hr @ 70°F Air/50°F Water	Ice Production lbs/24 hr @ 90°F Air/70°F Water	Half or Full Cube	Condensing Unit	Voltage Units	Ship Weight (lbs)
CIM0330A90	325	240	H/F	Air	115/60/1	145
CIM0330W90	320	270		Water	115/60/1	148
CIM0430A90	435	312		Air	115/60/1	145
CIM0530A90	525	400		Air	115/60/1	155
CIM0530R49*	500	442		Remote	115/60/1	173
CIM0530W90	550	485		Water	115/60/1	150
CIM0636A90	600	491		Air	208-230/60/1	163
CIM0636R49*	610	528		Remote	208-230/60/1	165
CIM0636W90	300	525		Water	208-230/60/1	165

Qualifies for Energy Star  
 \*See Page 24 for Remote Condensers in R449

# ELEVATION SERIES™ | Modular Ice Makers



Model Number	Ice Production lb/24 hr @ 70°F Air/50°F Water	Ice Production lbs/24 hr @ 90°F Air/70°F Water	Half or Full Cube	Condensing Unit	Voltage Units	Ship Weight (lbs)
CIM0836A90	900	695	H/F/G	Air	208-230/60/1	197
CIM0836R49*	850	759	H/F	Remote		220
CIM0836W90	875	770		Air		212
CIM1136A90	1000	812	H/F	Water		212
CIM1136R49*	930	820		Remote		215
CIM1136W90	960	880		Water		211



Model Number	Ice Production lb/24 hr @ 70°F Air/50°F Water	Ice Production lbs/24 hr @ 90°F Air/70°F Water	Half or Full Cube	Condensing Unit	Voltage Units	Ship Weight (lbs)
CIM1446A49	1600	1308	H/F	Air	208-230/60/1	310
CIM1446W	1560	1397		Water	208-230/60/1	300
CIM1446R49*	1609	1212		Remote	208-230/60/1	318
CIM1447A	1550	1174		Air	208-230/60/3	310
CIM1447W	1565	1397		Water	208-230/60/3	300
CIM1447R**	1625	1290		Remote	208-230/60/3	280
CIM2046W	1860	1690		Water	208-230/60/1	335
CIM2046R49*	1830	1502		Remote	208-230/60/1	329
CIM2047W	1860	1639		Water	208-230/60/3	325
CIM2047R**	1830	1533		Remote	208-230/60/3	335

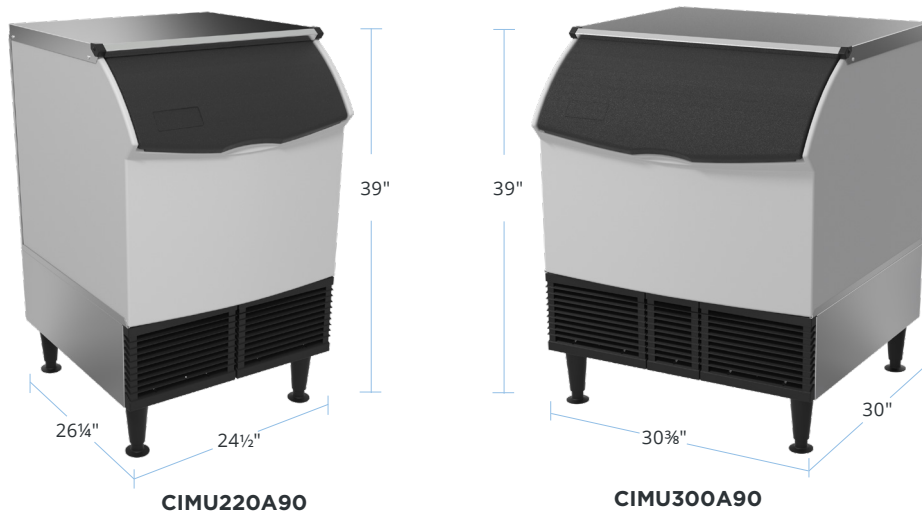
\* See Page 24 for Remote Condensers in R449

\*\* See Page 25 for Remote Condensers in R404

# ELEVATION SERIES™ | Undercounters • Accessories

## Elevation Series™ - Undercounters

Model Number	Ice Production lbs/ 4 hr @ 70°F Air/50°F Water	Ice Production lbs/24 hr @ 90°F Air/70°F Water	Half or Full Cube	Bin Storage (lbs)	Condensing Unit	Voltage Units	Ship Weight (lbs)
CIMU220A90	223	167	H/F	74	Air	115/60/1	153
CIMU300A90	302	234	H/F	112	Air	115/60/1	192



## Elevation Series™ - Accessories

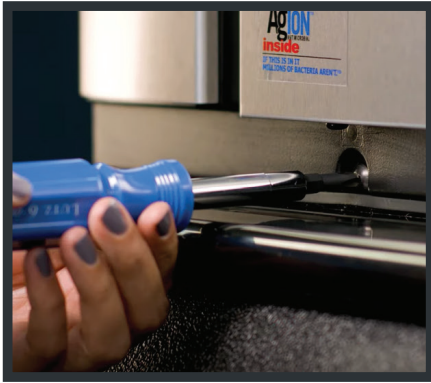
Model Number	Description	Ship Weight (lbs)
BPF-1	Filler Panel Kit with 30" CIM and ICE Series™ Cube Ice Makers for <b>B110 bins only</b>	8
KBT5	Bin Top for 30" CIM and ICE Series Cube Ice Makers including the ICE1506 family for <b>B100 bin</b>	30
KBT23	Bin Top for (1) 22" CIM Series Ice Makers on a <b>B110 bin</b>	22
KBT222	Bin Top for (2) 22" CIM Series Ice Makers on a <b>B110 bin</b>	33
KCFS9-22*	Mounting kit for Coca-Cola Freestyle 9000 with 22" CIM Series Ice Cube Makers	5
KCFS91-22*	Mounting kit for Coca-Cola™ Freestyle 9100 with 22" CIM Series Ice Cube Makers	5
KCFS71-30*	Mounting kit for Coca-Cola™ Freestyle 7000/7100 with 30" CIM Series Ice Cube Makers	5
KCFS9-30*	Mounting kit for Coca-Cola™ Freestyle 9000 with 30" CIM Series Ice Cube Makers	10
KCFS91-30*	Mounting kit for Coca-Cola™ Freestyle 9100 with 30" CIM Series Ice Cube Makers	5
KCUBEDISP	Bin-level kit for Cornelius and Lancer dispensers with all CIM Series including the ICE1506 Ice Cube Makers	1

\* Adapter from Coca-Cola™ also required.

\*\* Additional adapter may be required from dispenser manufacturer

# Food Zone Disassembly and Cleaning

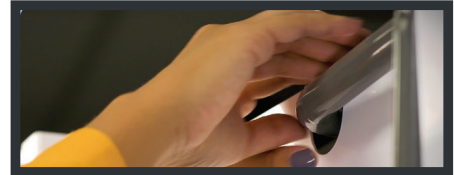
Incorporate FoodZone disassembly into your daily cleaning procedure for maximum machine uptime and food cleanliness



Loosen the two screws on the bottom of the front panel.



Remove the top plastic cover.



Remove the water hose.



Remove the evaporator splash plate.



Remove the distribution tube, depressing both side tabs.



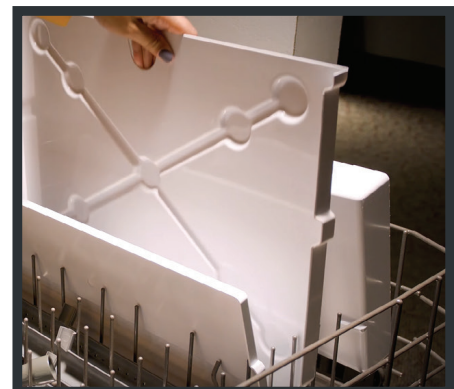
Completely disassemble the distribution tube.



Swing up and depress the curtain's tabs to remove.



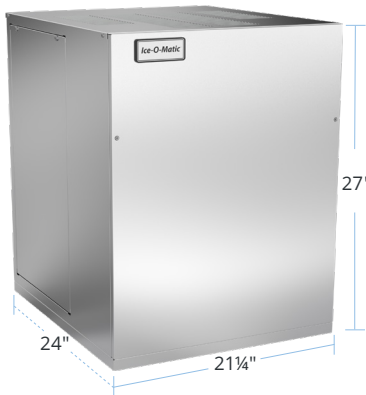
Remove the water reservoir by sliding out, down, and out.



All food zone parts are high temp dishwasher safe.

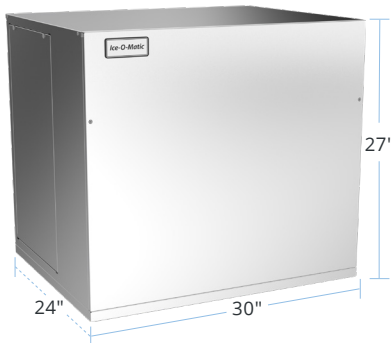
# PEARL ICE® SERIES | Modular Ice Makers • Accessories

## Pearl Ice® Series™ Modular Ice Makers



Model Number	Ice Production lbs/24 hr @ 70°F Air/ 50°F Water	Ice Production lbs/24 hr @ 90°F Air/70°F Water	Condensing Unit	Voltage Units	Ship Weight (lbs)
GEM0450A90	415	304	Air	115/60/1	163
GEM0650A90	700	538	Air	115/60/1	176
GEM0650R49	763	581	Remote	115/60/1	175
GEM0956A90	928	683	Air	208-230/60/1	189
GEM0956R49	932	695	Remote	208-230/60/1	175
GEM1306A90	1306	1004	Air	208-230/60/1	219
GEM1306R49	1240	947	Remote	208-230/60/1	215

\* See Page 24 for Remote Condensers in R449



Model Number	Ice Production lbs/24 hr @ 70°F Air/ 50°F Water	Ice Production lbs/24 hr @ 90°F Air/70°F Water	Condensing Unit	Voltage Units	Ship Weight (lbs)
GEM2006R49*	1960	1635	Remote	208-230/60/1	227
GEM2006W	2225	1850	Water	208-230/60/1	316

\* See Page 24 for Remote Condensers in R449

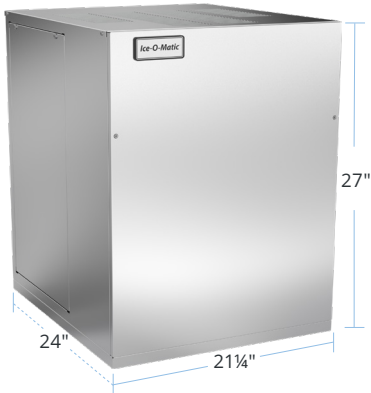
## Pearl Ice® Series™ Accessories

Model Number	Description	Ship Weight (lbs)
BPF-1	Filler Panel Kit with 30" GEM Series Ice® Makers for <b>B110 bins only</b>	8
KBT5	Bin Top for 30" GEM Series Ice® Makers on a B100 bin	30
KBT19	Bin Top for (1) 21" GEM Series Ice® Makers on a 30" bin	22
KBT222	Bin Top for (2) 21" GEM Series Ice® Makers on a B110 bin	33
KBT23	Bin Top for (1) 21" GEM Series Ice® Makers on a B110 bin	33
KBT24	Bin Top for (1) 21" GEM Series Ice® Makers on a 22" bin	10
KBTF230	Bin Kit for (2) 30" GEM Series Ice® Makers on 60" bins only	1
KGEMDISP	Kit required when mounting GEM Series Ice® Makers to beverage dispenser	1
KGEMFS*	Mounting and bin level ice control kit, required for installation of 21" GEM Series Ice® Makers on Coca-Cola™ Freestyle dispenser model 9000.	5
KFS7-G*	Ice Control Kit, required for installation of 21" GEM Series Ice® Makers on a Coca-Cola™ Freestyle dispensers model 7000.	5
KPU090	Pump Kit for GEMU090	7

\* Requires Coke adapter to match freestyle dispenser color.

# FLAKE ICE SERIES | Modular Ice Makers • Accessories

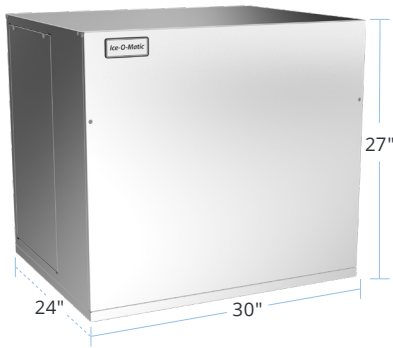
## Flake Ice Series Modular Ice Makers



Model Number	Ice Production lbs/24 hr @ 70°F Air/ 50°F Water	Ice Production lbs/24 hr @ 90°F Air/70°F Water	Condensing Unit	Voltage Units	Ship Weight (lbs)
MFI0500A90	465	326	Air	115/60/1	163
MFI0800A90	790	585	Air	115/60/1	176
MFI0800R**	925	650	Remote	115/60/1	200
MFI1256A90	1045	757	Air	208-230/60/1	215
MFI1256R49*	1035	754	Remote	208-230/60/1	215
MFI1506A90	1377	1084	Air	208-230/60/1	219
MFI1506R49*	1375	1018	Remote	208-230/60/1	214

\* See Page 24 for Remote Condensers in R449

\*\* See Page 25 for Remote Condensers in R404



Model Number	Ice Production lbs/24 hr @ 70°F Air/ 50°F Water	Ice Production lbs/24 hr @ 90°F Air/70°F Water	Condensing Unit	Voltage Units	Ship Weight (lbs)
MFI2306R49*	2100	1709	Remote	208-230/60/1	227
MFI2306W*	2600	2100	Water	208-230/60/1	316

\* See Page 24 for Remote Condensers in R449

## Flake Ice Series Accessories

Model Number	Description	Ship Weight (lbs)
BPF-1	Filler Panel Kit with 30" MFI Series Ice Makers for <b>B110 bins only</b>	8
KBT5	Bin Top for 30" MFI Series Ice Makers on a B100 bin	30
KBT19	Bin Top for (1) 21" MFI Series Ice Makers on a 30" bin	22
KBT222	Bin Top for (2) 21" MFI Series Ice Makers on a B110 bin	33
KBT23	Bin Top for (1) 21" MFI Series Ice Makers on a B110 bin	33
KBT24	Bin Top for (1) 21" MFI Series Ice Makers on a 22" bin	10
KBTF230	Bin Kit for (2) 30" MFI Series Ice Makers on 60" bins only	1



## Introducing Quartz Ice

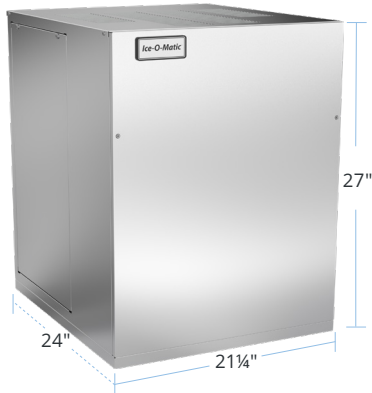
---

Introducing our newest line - Quartz Ice. Quartz is a firmer, more durable nugget designed for improved dispensing and a less dilutive drink experience — while maintaining a smooth, chewable texture.



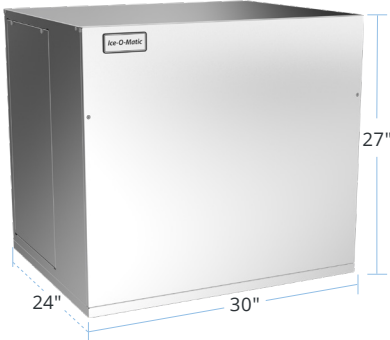
# QUARTZ ICE SERIES | Modular Ice Makers • Accessories

## Quartz Ice Series™ Modular Ice Makers



Model Number	Ice Production lbs/24 hr @ 70°F Air/ 50°F Water	Ice Production lbs/24 hr @ 90°F Air/70°F Water	Condensing Unit	Voltage Units	Ship Weight (lbs)
HEM0450A90	365	293	Air	115/60/1	163
HEM0650A90	610	492	Air	115/60/1	176
HEM0650R49*	500	410	Remote	115/60/1	209
HEM0956A90	800	621	Air	208-230/60/1	189
HEM0956R49*	740	618	Remote	208-230/60/1	215
HEM1306A90	1000	864	Air	208-230/60/1	219
HEM1306R49*	975	789	Remote	208-230/60/1	215

\* See Page 24 for Remote Condensers in R449



Model Number	Ice Production lbs/24 hr @ 70°F Air/ 50°F Water	Ice Production lbs/24 hr @ 90°F Air/70°F Water	Condensing Unit	Voltage Units	Ship Weight (lbs)
HEM2006R49*	1500	1336	Remote	208-230/60/1	306

\* See Page 24 for Remote Condensers in R449

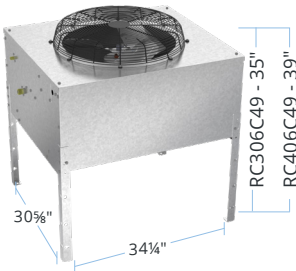
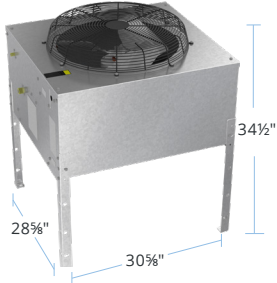
## Quartz Ice Series™ Accessories

Model Number	Description	Ship Weight (lbs)
BPF-1	Filler Panel Kit with 30" HEM Series Ice® Makers for <b>B110 bins only</b>	8
KBT5	Bin Top for 30" HEM Series Ice® Makers on a B100 bin	30
KBT19	Bin Top for (1) 21" HEM Series Ice® Makers on a 30" bin	22
KBT222	Bin Top for (2) 21" HEM Series Ice® Makers on a B110 bin	33
KBT23	Bin Top for (1) 21" HEM Series Ice® Makers on a B110 bin	33
KBT24	Bin Top for (1) 21" HEM Series Ice® Makers on a 22" bin	10
KBTF230	Bin Kit for (2) 30" HEM Series Ice® Makers on 60" bins only	1
KGEMDISP	Kit required when mounting HEM Series Ice® Makers to beverage dispenser	1
KGEMFS*	Mounting and bin level ice control kit, required for installation of 21" HEM Series Ice® Makers on Coca-Cola™ Freestyle dispenser model 9000.	5
KFS7-G*	Ice Control Kit, required for installation of 21" HEM Series Ice® Makers on a Coca-Cola™ Freestyle dispensers model 7000.	5

\* Requires Coke adapter to match freestyle dispenser color.

# R449 REMOTE CONDENSERS | Condensers • Accessories

## Remote Condensers

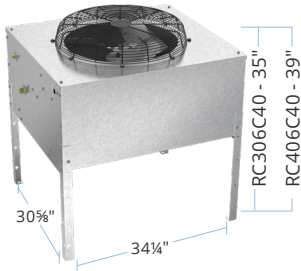
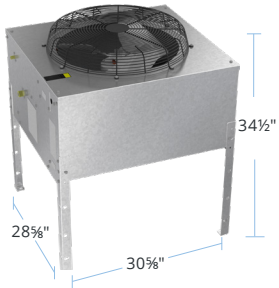


Model Number	Description	Voltage Units	Ship Weight (lbs)
RC100G49	Remote Condenser for model GEM0650R49 and HEM0650R49	115/60/1	90
RC106G49	Remote Condenser for models GEM0956R49, GEM1306R49, HEM0956R49, HEM1306R49, MFI1256R49, and MFI1506R49	208-230/60/1	90
RC100C49	Remote Condenser for CIM0530R49	115/60/1	91
RC106C49	Remote Condenser for model CIM0636R49	208-230/60/1	97
RC206C49	Remote Condenser for models CIM0826R49, CIM0836R49, CIM1126R49, and CIM1136R49	208-230/60/1	108
RC306C49	Remote Condenser for models CIM1446R49, GEM2006R49, HEM2006R49, MFI2306R49, and ICE1506R49	208-230/60/1	122
RC406C49	Remote Condenser for model CIM2046R49	208-230/60/1	138



# R404 REMOTE CONDENSERS | Condensers • Accessories

## Remote Condensers



Model Number	Description	Voltage Units	Ship Weight (lbs)
RC100G40	Remote Condenser for models GEM0650R, and MFI0800R	115/60/1	90
RC106G40	Remote Condenser for models GEM0956R, GEM1306R, MFI1506R, and MFI1256R	208-230/60/1	90
RC100C40	Remote Condenser for CIM0530R	115/60/1	91
RC106C40	Remote Condenser for model CIM0636R	208-230/60/1	97
RC206C40	Remote Condenser for models CIM0826R, CIM0836R, CIM1126R, and CIM1136R	208-230/60/1	108
RC306C40	Remote Condenser for models CIM144*R, GEM2006R and MFI2306R	208-230/60/1	122
RC406C40	Remote Condenser for model CIM204*R	208-230/60/1	138

## Remote Condenser Accessories

Model Number	Description	Ship Weight (lbs)
RL404-25	25 ft. Precharged Tubing Kit for units using R-404A refrigerant	13
RL404-40	40 ft. Precharged Tubing Kit for units using R-404A refrigerant	18
RL404-75	75 ft. Precharged Tubing Kit for units using R-404A refrigerant	36
RL49-25	25 ft. Precharged Tubing Kit for units using R-449A refrigerant	13
RL49-40	40 ft. Precharged Tubing Kit for units using R-449A refrigerant	18
RL49-75	75 ft. Precharged Tubing Kit for units using R-449A refrigerant	36
KRL-25	25 ft. Noncharged Tubing Kit, includes insulated tubing and couplings, brazing required	13
KRL-40	40 ft. Noncharged Tubing Kit, includes insulated tubing and couplings, brazing required	18
KRL-75	75 ft. Noncharged Tubing Kit, includes insulated tubing and couplings, brazing required	36

# DISPENSERS | Countertop Dispensers • Hotel Dispensers

## Countertop Cube/Pearl Ice Dispensers



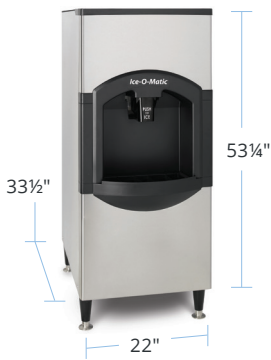
Model Number	Dispenser Operation	Bin Storage (lbs)	Voltage Units	Ship Weight (lbs)
IOD150*	Cup Activated	150	115/60/1	139



Model Number	Dispenser Operation	Bin Storage (lbs)	Voltage Units	Ship Weight (lbs)
IOD200**	Cup Activated	200	115/60/1	193
IOD250**		250		197

\* Accepts only 22" Machines  
 \*\* Accepts only 30" Machines

## Hotel Cube Ice Dispensers



Model Number	Dispenser Operation	Bin Storage (lbs)	Voltage Units	Ship Weight (lbs)
CD40022*	Push Activated	120	115/60/1	230



Model Number	Dispenser Operation	Bin Storage (lbs)	Voltage Units	Ship Weight (lbs)
CD40030**	Push Activated	180	115/60/1	220
CD40130** Water Glass Filler Kit Included	Push & Cup Activated			230

\* Accepts only 22" Machines  
 \*\* Accepts only 30" Machines

# DISPENSERS | Dispenser Accessories • Dispenser Kits

## Ice Dispenser & Hotel Accessories

Model Number	Description	Ship Weight (lbs)
KBT15022	Adapter and bin-level kit for 22" cubers and nugget ice makers on IOD150	12
KBT25022	Adapter and bin-level kit for 22" cubers and nugget ice makers on IOD200/250	28
KBT25030	Adapter and bin-level kit for 30" cubers on IOD200/250	13
KWGFID	Water glass filler kit for IOD150/200/250 and CD40022 (Field installed only)	2
KGEMDISP	Kit required when mounting GEM & HEM to beverage dispenser	1
KCUBEDISP	Bin-level kit for Cornelius and Lancer dispensers with 30" CIM Series Cube Ice Makers (Bin stat & deflector included)	1
KFS7-22*	Mounting kit for Coca-Cola™ Freestyle 7000 & 7100 with 22" ICE Series Cube Ice Makers	9
KFS7-30*	Mounting kit for Coca-Cola™ Freestyle 7000 & 7100 with 30" ICE Series Cube Ice Makers	10
KCFS71-30*	Mounting kit for Coca-Cola™ Freestyle 7000 & 7100 with 30" CIM Series Cube Ice Makers	7
KCFS9-22*	Mounting kit for Coca-Cola™ Freestyle 9000 with 22" CIM Series Cube Ice Makers	5
KCFS91-22*	Mounting kit for Coca-Cola™ Freestyle 9100 with 22" CIM Series Cube Ice Makers	5
KCFS91-30*	Mounting kit for Coca-Cola™ Freestyle 9100 with 30" CIM Series Cube Ice Makers	14
KCFS9-30*	Mounting kit for Coca-Cola™ Freestyle 9000 with 30" CIM Series Cube Ice Makers	10
KGEMFS*	Mounting and bin level ice control kit, required for installation of 21" GEM & HEM Ice Makers on Coca-Cola™ Freestyle dispenser model 9000. Requires Coca-Cola™ Adapter to match Freestyle dispenser (red, silver, or black)	5

\* Adapter from Coca-Cola™ also required.

## Dispenser Kits

Model Number	Style	CIM Series Cube Ice Makers		ICE Series Cube Ice Makers		GEM Series Ice Makers	
		22" W	30" W	22" W	30" W	21" W	30" W
IOD150	22" Countertop Dispenser	KBT15022	N/C	KBT15022	N/C	KBT15022	N/C
IOD200/250	30" Countertop Dispenser	KBT25022	KBT25030	KBT25022	KBT25030	KBT25022	KBT25030
GENERIC DISPENSER	Lancer/Serv-end Etc.	KCUBEDISP	KCUBEDISP	KCUBEDISP	KCUBEDISP	KGEMDISP	KGEMDISP
CD40022	22" Hotel Dispenser	▲	N/C	▲	N/C	N/C	N/C
CD40030	30" Hotel Dispenser	N/C	▲	N/C	▲	N/C	N/C
FS7000	30" Countertop Coke Dispenser	KCUBEDISP	KFS71-30	KFS7-22	KFS7-30	KFS7-G	N/C
FS7100	30" Countertop Coke Dispenser	KCUBEDISP	KFS71-30	KFS7-22	KFS7-30	KFS7-G	N/C
FS9000	22" Freestanding Coke Dispenser	KCFS9-22	KCFS9-30	KIBD-01	KIBD-30	KGEMFS	N/C
FS9100	22" Freestanding Coke Dispenser	KCFS91-22	KCFS91-30	KFS91-22	KIBD91-30	KGEMDISP	N/C
PEPSI SPIRE	30" Countertop Pepsi Dispenser	KCUBEDISP	KCUBEDISP	KCUBEDISP	KCUBEDISP	KGEMDISP	KGEMDISP

This information is subject to change. Please visit our website [www.iceomatic.com](http://www.iceomatic.com) for the most recently updated kit information.

▲ Kit not required

N/C - Ice Machine and Dispenser not compatible.

# STORAGE BINS | Bins • Adapters • Accessories

## Storage Bins

Model Number	Bin Storage (lbs)	Dimensions W x D x H (in)	Ship Weight (lbs)
B40	344	30 x 31 x 28	103
B42	351	22 x 31 x 50	99
B55	510	30 x 31 x 50	125
B110	854	48 x 31 x 50	191



## Bin Top Adapters

Model Number	Description	Ship Weight (lbs)
KBT5	Bin Top for 30" CIM and ICE Series Cuber including the ICE1506 family <b>for B100 only</b>	30
KBT19	Bin Kit for 22" CIM, MFI and GEM Series on a 30" bin	22
KBT222	Bin top for (2) 22" CIM, (2) MFI or (2) GEM Series on B110 bin	33
KBT23	Bin Kit for (1) 22" CIM, (1) GEM or (1) MFI Series on a B110 bin	33
KBT24	Bin Kit for (1) GEM or (1) MFI on a 22" bin	10
KBTF230	Bin Kit for (2) 30" CIM, GEM and MFI Series Cube Ice Makers <b>on 60" bins only</b>	43
KBTF21506	Bin for for (2) 30" ICE1506 <b>on 60" bin only</b>	43
BPF-1	Filler Panel Kit with 30" CIM, GEM, MFI and ICE Series™ Cube Ice Makers <b>for B110 bins only</b>	8

Model Number	Description	Ship Weight (lbs)
KLSCO	82 oz ice scoop*	1
KSSCO	16 oz ice scoop*	1
KSHOV	Plastic shovel	3
KSHOB	Bracket shovel	2
KICEP	Plastic paddle	7
KPBRA	Bracket paddle	2

# BIN CONFIGURATIONS | Single • Side-by-Side

## Single Ice Machine Configurations

Model Number	Style	CIM Series Cube Ice Makers			ICE Series Cube Ice Makers			Pearl Ice® Ice Makers		Flake Ice Makers	
		22" W	30" W	48" W	22" W	30" W	48" W	21" W	30" W	21" W	30" W
B40	Slope Front	KBT19	▲	N/C	KBT19	▲	N/C	KBT19	▲	KBT19	▲
B42	Slope Front	▲	N/C	N/C	▲	N/C	N/C	KBT24	N/C	KBT24	N/C
B55	Slope Front	KBT19	▲	N/C	KBT19	▲	N/C	KBT19	▲	KBT19	▲
B110	Slope Front	KBT23	BPF-1*	▲	KBT23	BPF-1*	▲	KBT23	BPF-1*	KBT23	BPF-1*
B700-30	Upright	▲	▲	N/C	▲	▲	N/C	▲	▲	▲	▲
B1000-48	Upright	▲	▲	▲	▲	▲	▲	▲	▲	▲	▲
B1300-48	Upright	▲	▲	▲	▲	▲	▲	▲	▲	▲	▲
B1325-60	Upright	▲	▲	▲	▲	▲	▲	▲	▲	▲	▲
B1600-60	Upright	▲	▲	▲	▲	▲	▲	▲	▲	▲	▲

\* BPF-1 used with B110 bins only. If you have an older model B100 use the KBT5.

▲ Kit not required / N/C - Ice Machine and Bin Configurator not compatible

## Side-By-Side Ice Machine Configurations

Model Number	Style	CIM Series Cube Ice Makers		ICE Series Cube Ice Makers		Pearl Ice® Ice Makers		Flake Ice Makers	
		2 x 22" W	2 x 30" W	2 x 22" W	2 x 30" W	2 x 21" W	2 x 30" W	2 x 21" W	2 x 30" W
B40	Slope Front	N/C	N/C	N/C	N/C	N/C	N/C	N/C	N/C
B42	Slope Front	N/C	N/C	N/C	N/C	N/C	N/C	N/C	N/C
B55	Slope Front	N/C	N/C	N/C	N/C	N/C	N/C	N/C	N/C
B110	Slope Front	KBT222	N/C	N/C	KBT222	KBT222	N/C	KBT222	N/C
B700-30	Upright	N/C	N/C	N/C	N/C	N/C	N/C	N/C	N/C
B1000-48	Upright	▲	N/C	▲	N/C	▲	N/C	▲	N/C
B1300-48	Upright	▲	N/C	▲	N/C	▲	N/C	▲	N/C
B1325-60	Upright	▲	KBTF230	▲	KBTF21506	▲	KBTF230	▲	KBT230
B1600-60	Upright	▲	KBTF230	▲	KBTF21506	▲	KBTF230	▲	KBT230

▲ Kit not required

N/C - Ice Machine and Bin Configurator not compatible

There are times when it is desirable to install (2) ice machines side-by-side on a bin. The reasons may range from gaining maximum output to creating redundancy. Ice-O-Matic offers on array of kits and bins with custom order tops for just such applications.

**Water Filtration Systems**



**IFQ1-S**  
Single Filter

dimensions (in)	10.4 x 6 x 4
flow rate max (gpm)	.75
pressure max (psi)	125
max operating temp (°F)	100
micron rating	2
ship weight (lbs)	2
pack quantity	N/A



**IFQ1**  
Single Filter

dimensions (in)	15 x 6 x 4
flow rate max (gpm)	1.5
pressure max (psi)	125
max operating temp (°F)	100
micron rating	2
ship weight (lbs)	4
pack quantity	10



**IFQ1-XL**  
Single Filter

dimensions (in)	21 x 6 x 4
flow rate max (gpm)	2.25
pressure max (psi)	125
max operating temp (°F)	100
micron rating	2
ship weight (lbs)	5
pack quantity	N/A



**IFQ2**  
Dual Filter

dimensions (in)	16 x 10 x 7.125
flow rate max (gpm)	3
pressure max (psi)	125
max operating temp (°F)	100
micron rating	2
ship weight (lbs)	8
pack quantity	N/A



**IFQ2-XL**  
Dual Filter

dimensions (in)	23.21 x 13 x 4.65
flow rate max (gpm)	4.5
pressure max (psi)	125
max operating temp (°F)	100
micron rating	2
ship weight (lbs)	9
pack quantity	N/A



**IFI4C / IFI8C**  
Single Inline Cartridge .25" Compression (IFI4C) or .375" Compression (IFI8C)

dimensions (in)	11.75 x 2.75
flow rate max (gpm)	1.0
pressure max (psi)	100
max operating temp (°F)	100
micron rating	10
ship weight (lbs)	2
pack quantity	12

**IOM Replacement Cartridges**

Model Number	Description	Pack Qty
IOMQ-S	Single quick twist replacement cartridge for IFQ1-S	N/A
IOMQ	Single quick twist replacement cartridge for IFQ1 or IFQ2	10
IOMQ-XL	Single quick twist replacement cartridge for IFQ1-XL	N/A
IOMWFRC	Single replacement filter with male quick connect fittings for manifold filter systems	10

**Filter Cartridge Features**

- Inhibit the formation of scale
- Remove dirt and sediment
- Reduce chlorine, taste and odor

*Ice-O-Matic recommends the use of water filtration with all ice-making products.*

**Water Filtration Application Charts - CUBE**

Model Number	ICEU070	ICEU150 ICEU220 ICEU300	CIM0320- CIM0430	CIM0520- CIM0630	CIM0826- CIM1136	CIM1446- CIM1545	CIM1845- CIM2046	ICE1506	UCG080- UCG130
IFQ1-S	X	X							X
IFQ1			X						
IFQ1-XL				X					
IFQ2					X	X		X	
IFQ2-XL							X		
IF14C / IF18C	X	X							X

**Water Filtration Application Charts - PEARL & FLAKE**

Model Number	GEMU090	GEM0450- GEM0650	GEM0956	GEM1306	GEM2006	MFI0500	MFI0800- MFI1256	MFI1506	MFI2306
IFQ1-S	X					X			
IFQ1		X							
IFQ1-XL			X				X		
IFQ2				X				X	
IFQ2-XL					X				X
IF14C / IF18C	X					X			



Use the QR Code above for our most current list prices. Ice-O-Matic's knowledgeable sales representatives can also answer any questions and walk you through the selection process.

## Contact Us.

---

### **SALES AND CUSTOMER SERVICE**

Whether you have a sales question, a support inquiry, or just need to hear a friendly voice our outstanding customer service is available for you.

**Call Us:** 1-800-423-3367

**Online:** [iceomatic.com/servicesupport](https://iceomatic.com/servicesupport)

**Email Us:** [customer.experience@iceomatic.com](mailto:customer.experience@iceomatic.com)

### **TECHNICAL SUPPORT 24/7 SUPPORT**

Our technical support center provides best-in-class service with decades of experience. Contact day or night with your most technical questions!

**Call Us:** 1-855-TECH-IOM

**Online:** [iceomatic.com/servicesupport](https://iceomatic.com/servicesupport)

**Email Us:** [techsupport@iceomatic.com](mailto:techsupport@iceomatic.com)





Scan QR code above for digital copy

11100 East 45th Avenue | Denver, CO 80239

**866.PUREICE** | [iceomatic.com](http://iceomatic.com)

Updated: March 2026